



←—————→

E Series 22 Gallon Stationary Whirlpool with Pedestal E-22-SP



Product photo/image above may show some available options

Whitehall E-22-SP Stationary Whirlpool with Pedestal is recommended for treatment of the foot, ankle and leg, to below the knee, with better coverage and greater patient comfort.

Tank Capacity is 22 gallons.

Whirlpool Tank is 28"L x 15"W x 18"D and is seamless welded construction, fabricated from heavy gauge, type 304 stainless steel, polished to a satin finish. Tank rim is reinforced with a concealed stainless steel rod. Tank bottom is seamless, rounded coved design to minimize bacteria buildup. Tank is fitted with a fixed raised pedestal for mounting to floor. A 2" Combination Drain and Overflow, and a Filler Spout are provided. (See roughing-in dimensions on the reverse side).

Turbine Raising and Lowering Device permits adjustment of desired height and direction of water agitation towards the area of the body to be treated. It is spring balanced and provided with a locking device.

Turbine Assembly functions both as agitator and emptying device. It is equipped with Underwriters Laboratory listed 1/2 HP jet pump motor protected with an ABS plastic shell, and automatic thermal overload protector, and lifetime-sealed bearings. All parts contacting the water are stainless steel, chrome plated brass or bronze.

Thermometer is provided with a dual scale, adjustable calibration, and a stem inserts into a retainer to prevent rattle during whirlpool agitation.

GUIDE SPECIFICATIONS

Provide Whitehall Stationary Whirlpool with Pedestal (specify model number and options) with a 22-gallon capacity, 28"L x 15"W x 18"D. Whirlpool shall be fabricated from heavy gauge, type 304 stainless steel. Construction shall be seamless welded and exposed surfaces shall be polished to satin finish. Tank shall have a reinforced rim and shall be fitted with a fixed raised pedestal. Bottom of tank shall be a seamless, rounded coved design to minimize bacteria build up. Provide a 2" combination drain and overflow, and a filler spout. Provide a turbine assembly with raising and lowering device which functions both as agitator and emptying device, permits adjustment of desired height, direction of water agitation, and can be locked into place. Turbine assembly shall be UL listed 1/2 HP jet pump motor with automatic thermal overload protector, and lifetime-sealed bearings. Provide a 3" dial thermometer with a stem retainer to prevent rattle when whirlpool is in operation.



Whitehall Manufacturing™

Extremity Whirlpools

Series

- E Extremity Series

Capacity

- 22 Gallons

Type

- SP Stationary Whirlpool with Pedestal

Suffix Options (See Whirlpool Option Section for Details)

- AHC1 Adjustable High Chair with Casters
- AHC2 Adjustable High Chair with Rubber Tips
- ARS Arm Rest Support

MODEL NUMBER AND OPTION SELECTIONS

- EG Enviro Glaze Color Powder Coating - Specify Color: _____
(Special Finish Consult Factory)
- GFI Ground Fault Interrupter
- MXT1 Thermostatic Mixing Valve (15 G.P.M.)
- MXWH Washout Hose Attachment for MXT Valves
- PCS Pump Cover Strainer
- SDO Separate Drain and Overflow Assembly

Turbine Assembly

Electrical on standard turbine supplied is 115 V 60 Hz
if 220 V is required please specify:

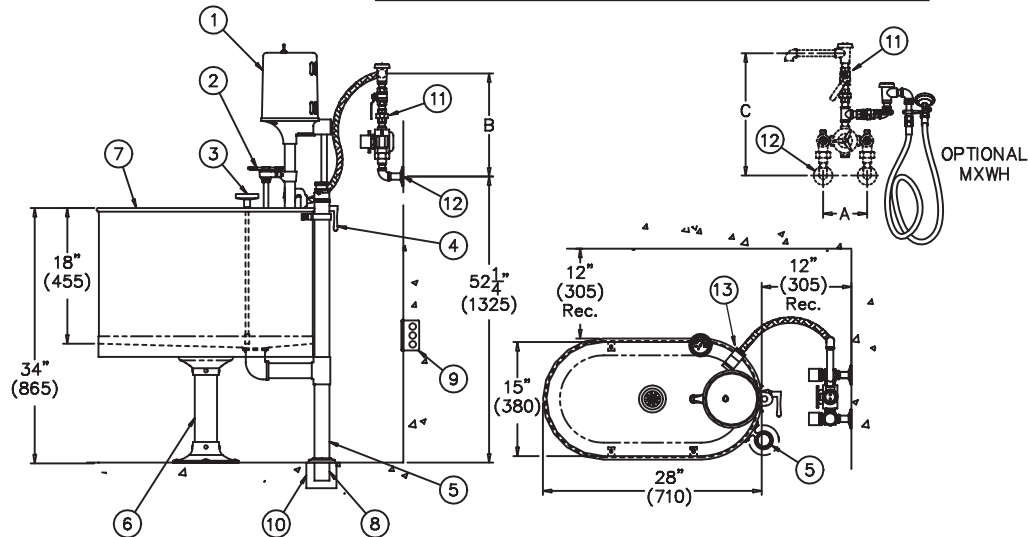
- 50 Hz
- 60 Hz

Note: Electrical requirements are 8 Amps / 115 Volts/ 60Hz/ 3 Pole GFI Receptacle.



All dimension figures in parentheses are in millimeters.

VALVE	INLETS	OUTLET	DIM A	DIM B	DIM C
MXT1 (15 GPM)	1/2" NPT	1/2" NPT	8-1/2" (215)	13-3/4" (350)	18" (455)
MXT2 (25 GPM)	3/4" NPT	3/4" NPT	9-1/2" (240)	13-1/2" (345)	17" (430)



NOTES:

- 1/2 hp Jet Pump Motor.
- Variable Pressure Control.
- Thermometer.
- Turbine Raising & Lowering Device.
- Combination Drain & Overflow Assembly.
- Mounting Pedestal.
- Stainless Steel Tank.
- 2" O.D. x 5" Tail Piece.
- 3 Pole GFI Receptacle by Others.
- Floor Drain by Others.
- Optional Thermostatic Mixing Valve with Vacuum Breaker.
- H & C Water Inlets by Others.
- Filler Spout.

STATIONARY E-22-SP SERIES WHIRLPOOL

All dimensions are nominal and subject to manufacturer's change without notice. Whitehall assumes no responsibility for use of void or suspended data. © 2008 Whitehall Manufacturing, A Division of Acorn Engineering Company. Please visit www.whitehallmfg.com for most current specifications.

SELECTION SUMMARY & APPROVAL FOR MANUFACTURING

Model Number & Options _____ Quantity _____
 Company _____ Date _____
 Contact _____ Title _____
 Approval for Manufacturing/Signature _____

Whitehall Mfg. > P.O. Box 3527 > City of Industry, CA 91744 > (800) 782-7706 > (626) 968-6681 > FAX (626) 855-4862

E-22-SP

Last Update: 2/14/08